

TREATMENT PERFORMANCE RESULTS

Kingspan Environmental Ltd.
College Rd North, Aston Clinton, Aylesbury, Bucks, GB

EN 12566-3

Results corresponding to EN 12566-3 and S.R. 66

PIA-SR66-1609-1114

BioFicient+

Aerated moving-bed-biofilm reactor

Nominal organic daily load	0.29 kg/d		
Nominal hydraulic daily load	0.9 m ³ /d		
Material	Polyethylene		
Watertightness	Pass		
Structural behaviour (Pit Test)	Pass (also wet conditions)		
Durability	Pass		
Treatment efficiency (nominal sequences)		Efficiency	Effluent
		COD	91.2 % 64 mg/l
		BOD ₅	95.0 % 15 mg/l
		NH ₄ -N	84.7 % 5.1 mg/l
		SS	96.0 % 16 mg/l
Number of desludging	Not more than once		
Electrical consumption	0.92 kWh/d		

Performance tested by:

PIA – Prüfinstitut für Abwassertechnik GmbH
(PIA GmbH)
Hergenrather Weg 30
52074 Aachen, Germany

This document replaces neither the declaration of performance nor the CE marking.



Notified Body
No.: 1739



Certified according to
ISO 9001:2008

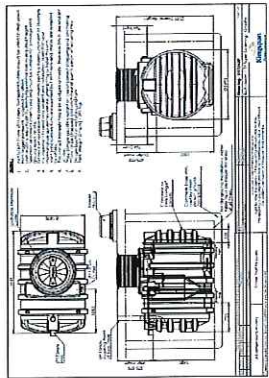
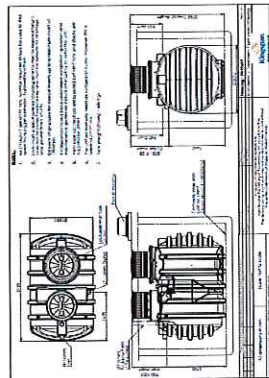


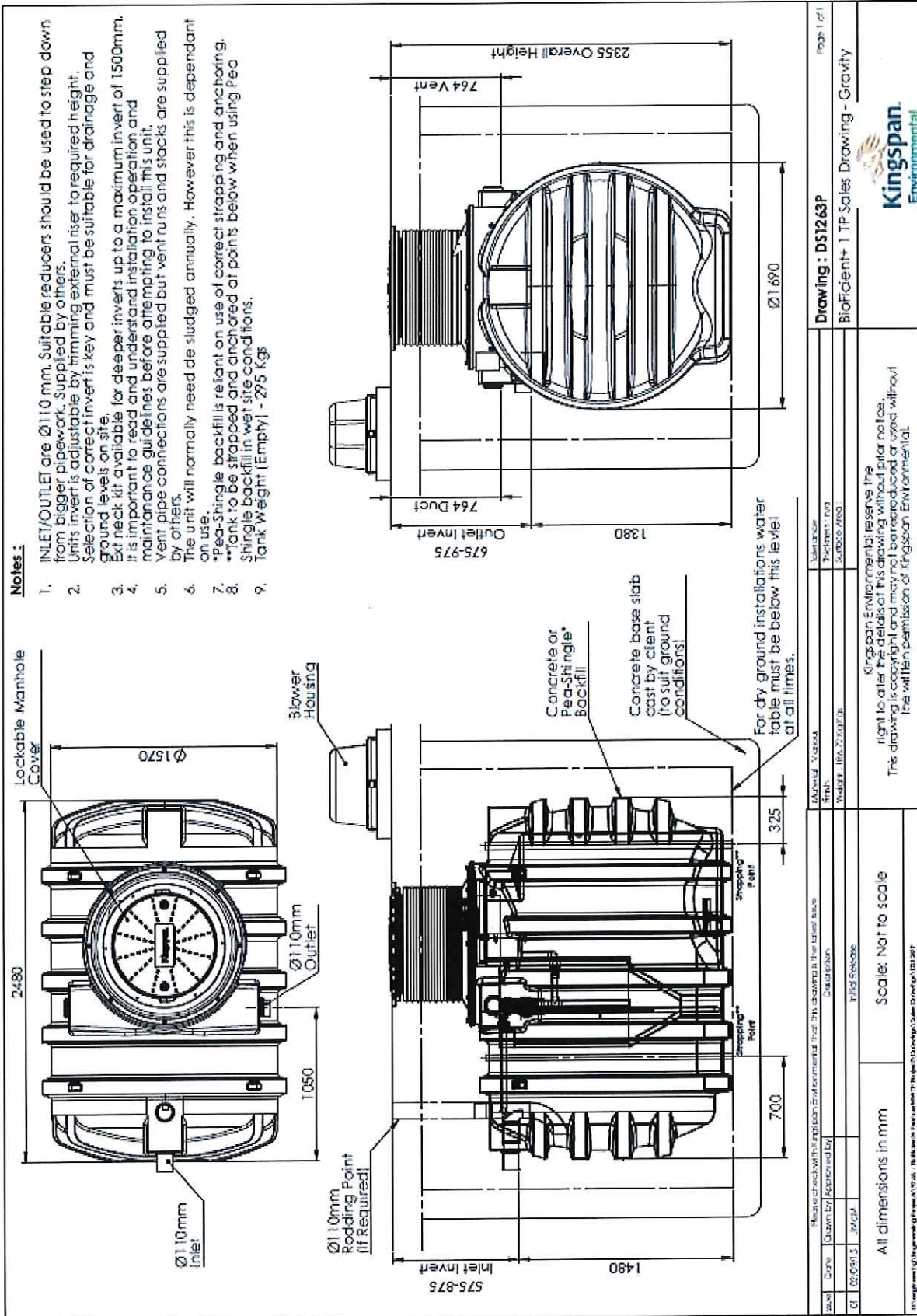
Prüfinstitut für Abwassertechnik GmbH
[Signature]
Geprüft - tested - teste

Elmar Lancé

October 2016

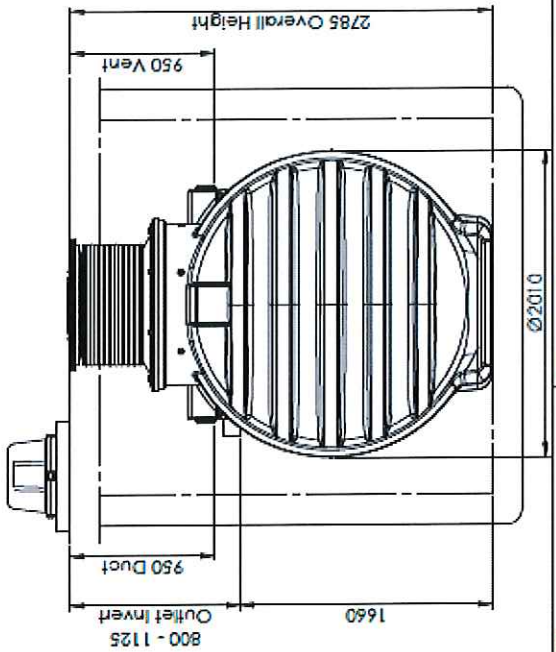
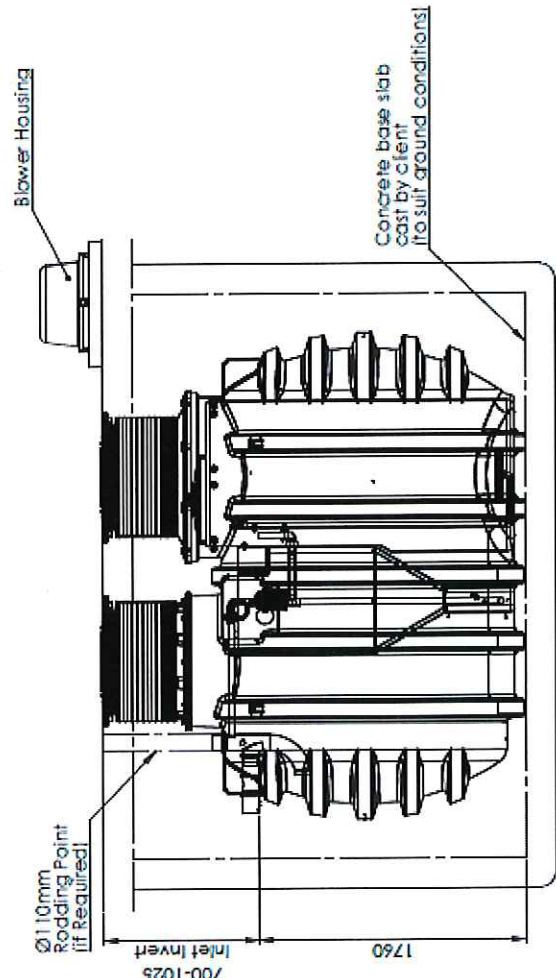
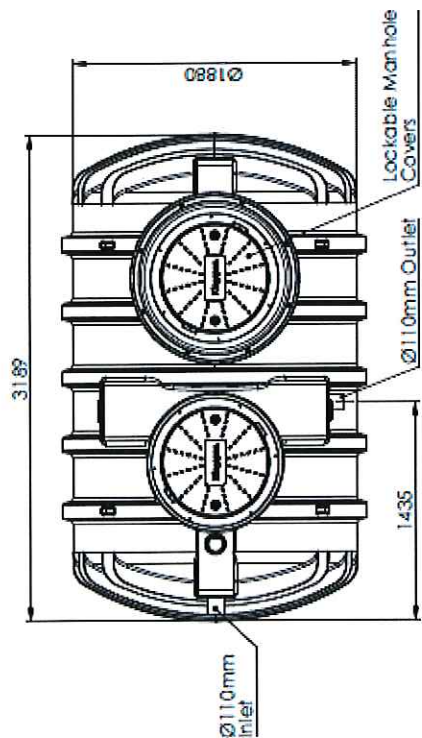
BioFicient+ range and its referring test reports:

Population Equation (PE)	Drawing of model of the range	Watertightness (EN 12566-3 Annex A)	Treatment Efficiency (EN 12566-3 Annex B)	Structural Behaviour (EN 12566-3 Annex C)	Durability
Initial type test (ITT) 6		Pass PIA2015-WD-1508-1044.01	Pass PIA2015-218B44.01	Pass For wet ground conditions also, Installation depth 1.50 m from inlet invert	Pass PIA2015-DH-1503-1018.01
10		Pass PIA2015-WD-1508-1044.01	Pass Range conformity according to S.R. 66:2015	Pass PIA2015-ST-PIT-1508-1044.01 For wet ground conditions also, Installation depth 1.50 m from inlet invert	Pass PIA2015-DH-1503-1018.01



Notes:

1. INLET/OUTLET are $\varnothing 110$ mm. Suitable reducers should be used to step down from bigger pipework. Supplied by others.
2. Units invert is adjustable by trimming external riser to required height. Selection of correct invert is key and must be suitable for drainage and ground levels on site.
3. Ext neck kit available for deeper inverts up to a maximum invert of 1500mm.
4. It is important to read and understand installation operation and maintenance guidelines before attempting to install this unit.
5. Vent pipe connections are supplied but vent runs and stacks are supplied by others.
6. The unit will normally need de sludged annually. However this is dependant on use.
7. Tank Weight (Empty) - 485 Kgs



Revision Checked by: [] Drawn by: [] Date: []		Approved by: [] Date: []		Drawing : DS1264P BioFicient+ 2 Treatment Plant Sales Drawing	Page 1 of 1
Scale: Not to scale		Kingspan Environmental reserves the right to alter the details of this drawing without prior notice. This drawing is copyright and may not be reproduced or used without the written permission of Kingspan Environmental.			