



TREATMENT PERFORMANCE RESULTS

PIA-SR66-2601-1002.2

Otto Graf GmbH

Carl-Zeiss-Str. 2-6, 79331 Teningen

EN 12566-6

Results corresponding to EN 12566-6 and S.R. 66

easyRock Bioreactor

Media filter

Nominal organic daily load (influent)	0.10 kg BOD ₅ /d		
Nominal hydraulic daily load	0.75 m ³ /d		
Material	PE		
Watertightness	Pass		
Crushing resistance (pit test)	Pass (also wet conditions)		
Durability	Pass		
Treatment efficiency (nominal sequences)		Efficiency	Effluent
	COD	94.0 %	41 mg/l
	BOD ₅	87.0 %	7 mg/l
	TN _b	36.0 %	51 mg/l
	NH ₄ -N*	74.0 %	14 mg/l
	P _{tot}	23.0 %	7 mg/l
	SS	91.0 %	5 mg/l
Electrical consumption	0.0 kWh/d		
Number of desludging	0		

Tested by:

PIA – Prüfinstitut für Abwassertechnik GmbH (PIA GmbH)

Centre d'Études de Recherches de l'industrie du Béton (CERIB)

Centre Scientifique et Technique du Bâtiment (CSTB)

This document replaces neither the declaration of performance nor the CE marking.



confirmed

April 2026

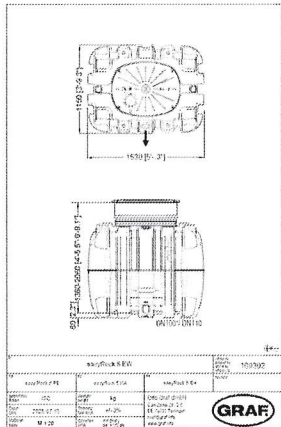
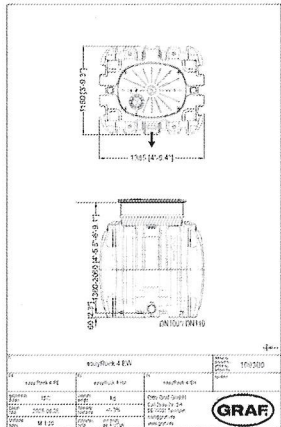


Notified Body
No.: 1739

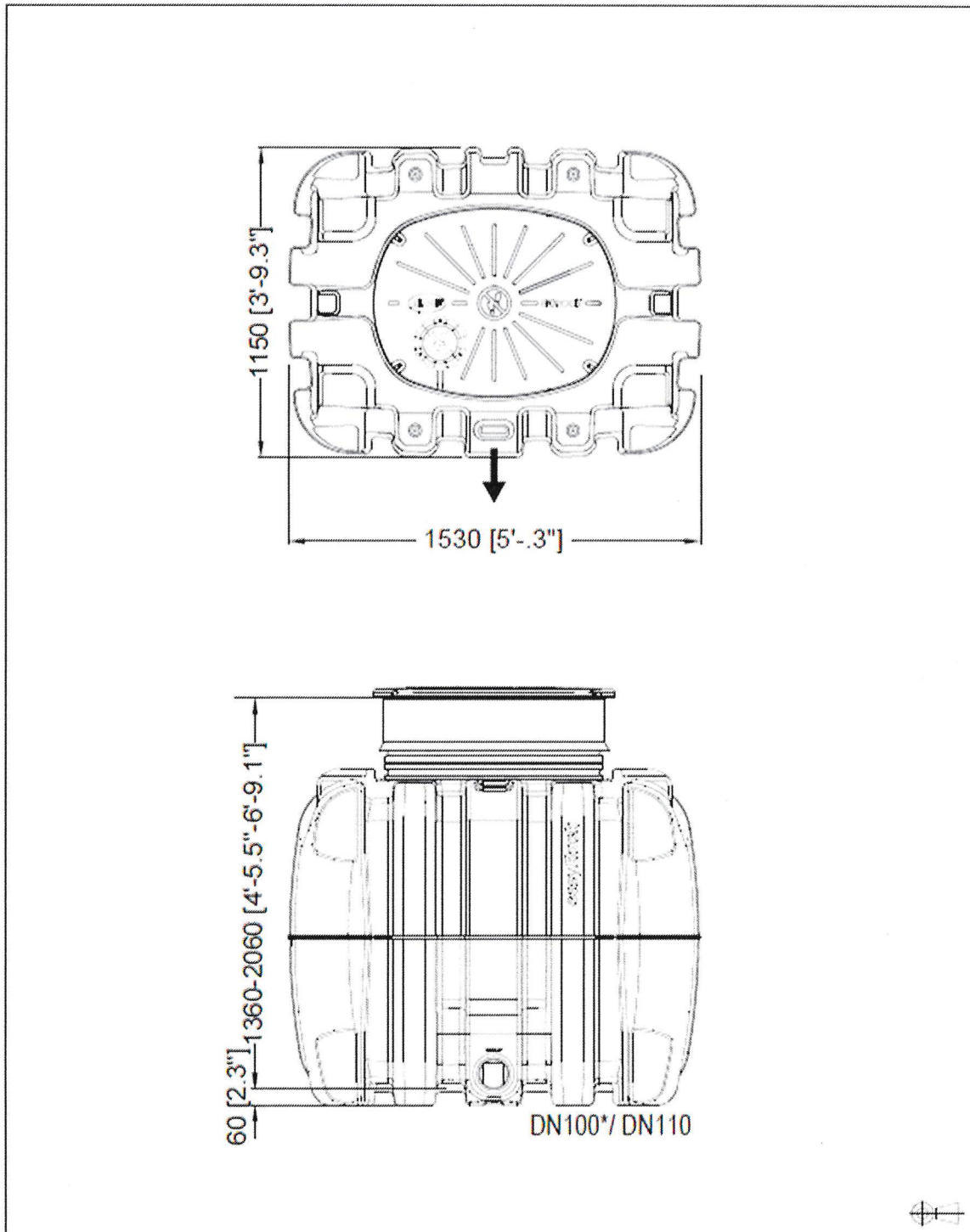


Certified according to
ISO 9001:2015

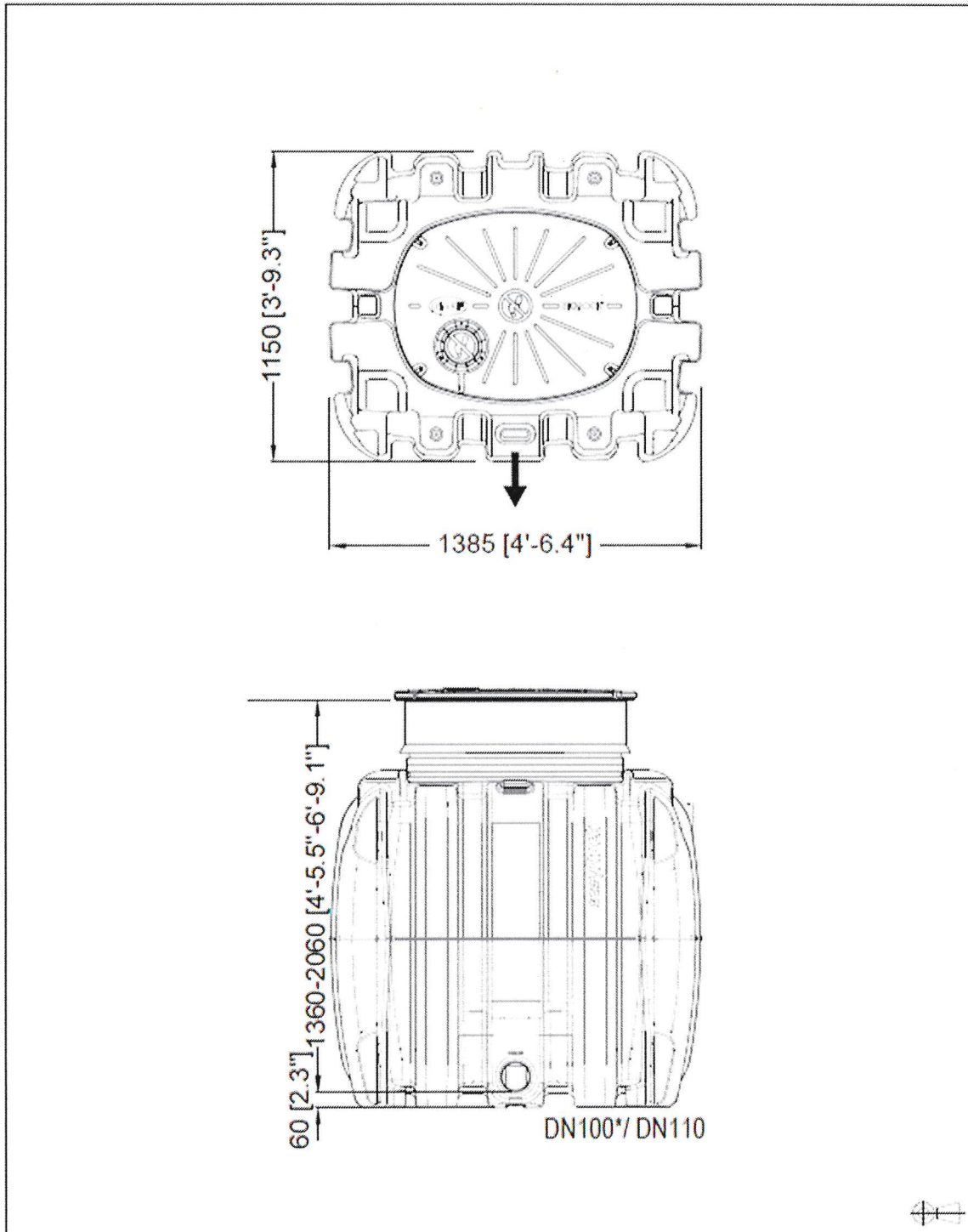
easyRock Bioreactor range and its referring test reports:

Population equivalent (PE)	Drawing of model of the range	Watertightness (EN 12566-3 Annex A)	Treatment Efficiency (EN 12566-3 Annex B)	Structural Behaviour (EN 12566-3 Annex C)	Durability
Initial type test (ITT) 5	Not relevant	Not relevant	Pass 046738-A (CERIB)	Not relevant	Not relevant
Compared Tank 5 750 l/d		Pass PIA2025-WD - 2505-1033	Pass Shared itt conformity check according to S.R. 66:2015	Pass For wet ground conditions also, 1.08 m installation depth from inlet invert	Pass CAPE 21- 107198_V 2
4 600 l/d		Pass PIA2025-WD - 2505-1033	Pass Shared itt conformity check according to S.R. 66:2015	Pass For wet ground conditions also, 1.08 m installation depth from inlet invert	Pass CAPE 21- 107198_V 2

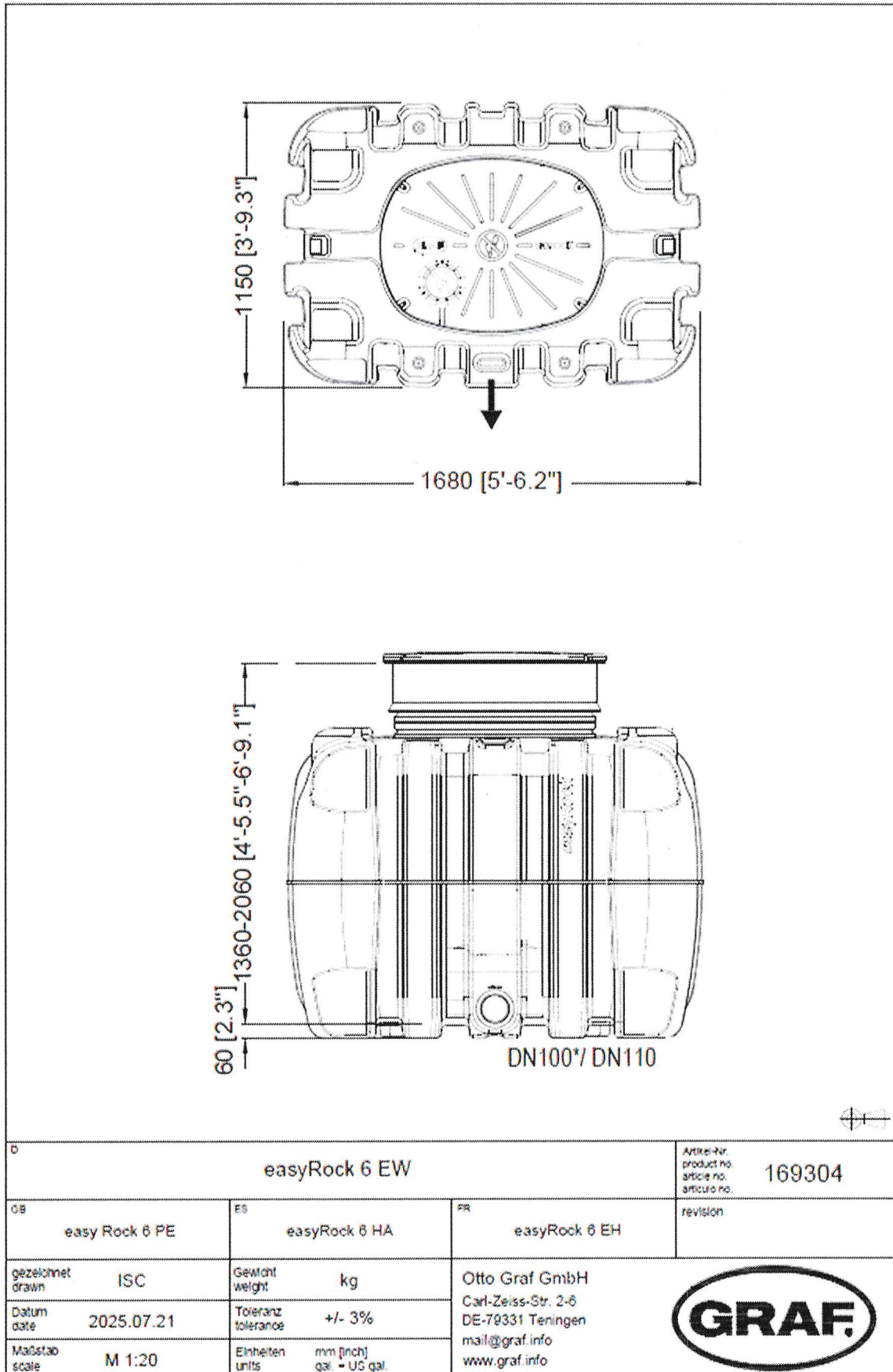
<p>6 900 l/d</p>		<p>Pass PIA2025-WD - 2505-1033</p>	<p>Pass Shared itt conformity check according to S.R. 66:2015</p>	<p>Pass PIA2025-ST- PIT-2505- 1033.2 For wet ground conditions also, 1.08 m installation depth from inlet invert</p>	<p>Pass CAPE 21- 107198_V 2</p>
<p>8 1,200 l/d</p>		<p>Pass PIA2025-WD- 2512-1089</p>	<p>Pass Shared itt conformity check according to S.R. 66:2015</p>	<p>Pass PIA2026-ST- PIT-2512-1089</p>	<p>Pass CAPE 21- 107198_V 2</p>

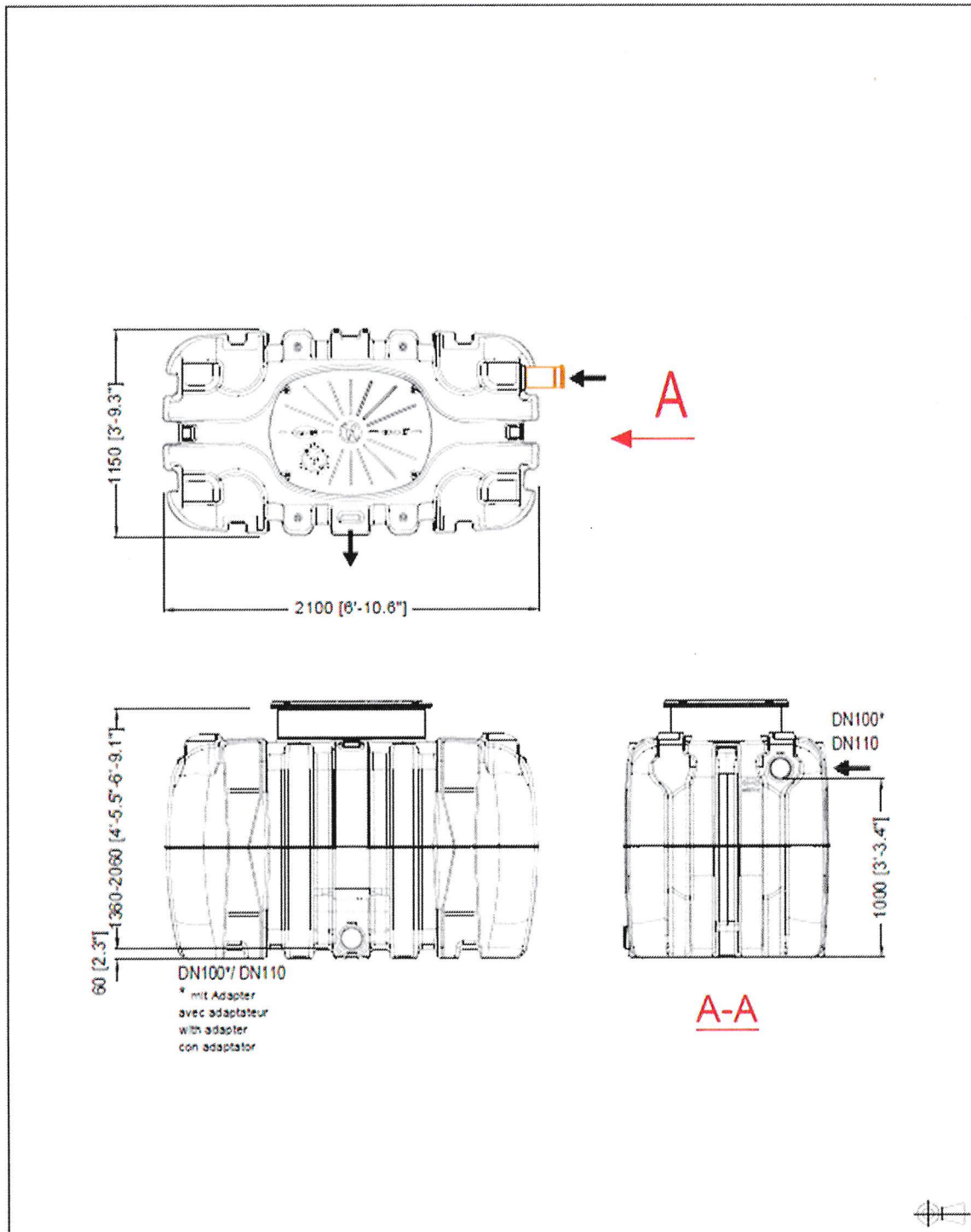


easyRock 5 EW			Artikel-Nr. product no. article no. 169302
GB easy Rock 5 PE	ES easyRock 5 HA	FR easyRock 5 EH	revision
gezeichnet drawn ISC	Gewicht weight kg	Otto Graf GmbH Carl-Zeiss-Str. 2-8 DE-79331 Teningen mail@graf.info www.graf.info	
Datum date 2025.07.10	Toleranz tolerance +/- 3%		
Maßstab scale M 1:20	Einheiten units mm [inch] gal. = US gal.		



OB easyRock 4 EW			Artikel-Nr. product no. article no. artículo no. 169300
OB easy Rock 4 PE	ES easyRock 4 HA	FR easyRock 4 EH	revision
gezeichnet drawn ISC	Gewicht weight kg	Otto Graf GmbH Carl-Zeiss-Str. 2-6 DE-79331 Teningen mail@graf.info www.graf.info	
Datum date 2025.06.26	Toleranz tolerance +/- 3%		
Maßstab scale M 1:20	Einheiten units mm [inch] gal. = US gal.		





easyRock uni 8 EW - Behandlungseinheit nach EN 12566-6			Artikel-Nr. product no. article no. artículo no.	169307
GB easy Rock uni 8 PE treatment unit according EN12566-6	ES easyRock uni 8 HE unidad de tratamiento según EN 12566-6	FR easyRock UT 8 EH, Unité de traitement seule	revision	
gezeichnet drawn ISC	Gewicht weight kg	Otto Graf GmbH Carl-Zeiss-Str. 2-8 DE-79331 Teningen mail@graf.info www.graf.info		
Datum date 2025.12.18	Toleranz tolerance +/- 3%			
Maßstab scale M 1:30	Einheiten units mm [inch] gal. = US gal.			

