

PERFORMANCE RESULTS

Doran Concrete Products Ltd.
Newtown Commons, New Ross, Co. Wexford, Ireland

EN 12566-1
Part 1: Prefabricated septic tanks
Results corresponding to EN 12566-1 and S.R. 66

PIA-SR66-1701-1002

Doran SR6 Septic Tank

Material	Concrete
Structural behaviour (calculation)	Pass (for wet ground conditions also)
Watertightness	Pass
Nominal capacity	3 m ³ (3,712 l)
Hydraulic efficiency	99.85 % (without filter)
Durability	Pass

Performance tested by:

PIA – Prüfinstitut für Abwassertechnik GmbH
(PIA GmbH)
Hergenrather Weg 30
52074 Aachen, Germany

This document replaces neither the declaration
of performance nor the CE marking.



Notified Body
No.: 1739



Certified according to
ISO 9001:2008

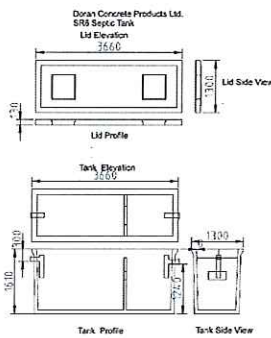


Prüfinstitut für Abwassertechnik GmbH
geprüft - tested - teste

Elmar Lancé

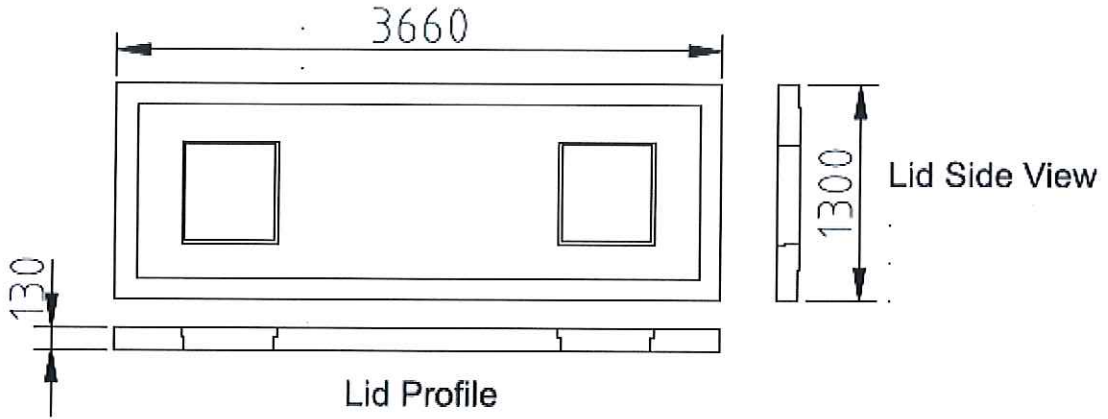
January 2017

Doran SR6 Septic Tank range and its referring test reports:

Nominal capacity Usable Capacity Population equivalent (PE)	Drawing of model of the range	Watertightness and Nominal Capacity (EN 12566-1 Annex A)	Hydraulic Efficiency (EN 12566-1 Annex B)	Structural Behaviour (EN 12566-1 Annex D)	Durability
3 3,712 l 11		Pass PIA2013-WD/NC-1306-1040	Pass PIA2013-HWG-1306-1040	Pass PIA2011-ST-CAL-1001-1002 For wet ground conditions also, installation depth 1.43 m from inlet invert	Pass PIA2017-DH-1701-1001.01

Doran Concrete Products Ltd.
SR6 Septic Tank

Lid Elevation



Tank Elevation

