

PERFORMANCE RESULTS

Burke Wastewater / Tpw EUROTANK
Ballybeg Corrandulla, Co. Galway, Ireland

EN 12566-1

Part 1: Prefabricated septic tanks
Results corresponding to EN 12566-1 and S.R.66

PIA-SR66-1604-1051

Eurotank Septic Tank

Material	Concrete
Structural behaviour (calculation)	Pass (for wet ground conditions also)
Watertightness	Pass
Nominal capacity	3 m ³ , 6 m ³ , 11 m ³
Hydraulic efficiency	99.52 % (without filter)
Durability	Pass

Performance tested by:

PIA – Prüfinstitut für Abwassertechnik GmbH
(PIA GmbH)
Hergenrather Weg 30
52074 Aachen, Germany

This document replaces neither the declaration
of performance nor the CE marking.



Notified Body
No.: 1739



Certified according to
ISO 9001:2008

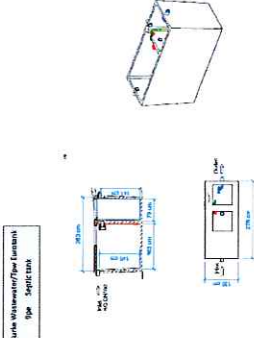
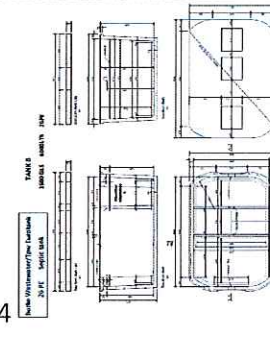
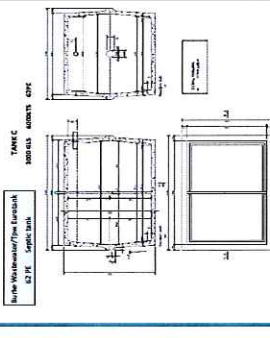


Prüfinstitut für Abwassertechnik GmbH
Geprüft - tested - teste

Elmar Lancé

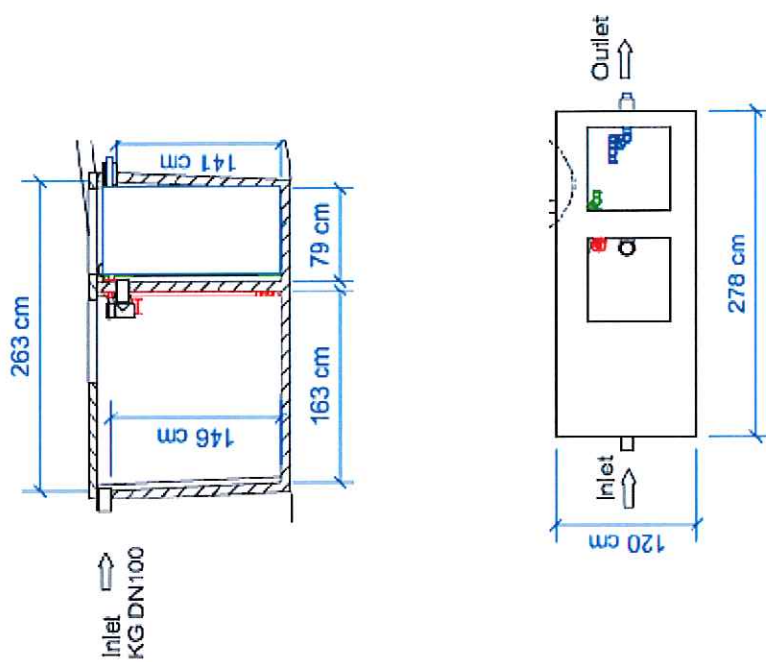
July 2016

EuroSeptic Tank range and its referring test reports:

Nominal capacity Usable capacity Population equivalent (PE)	Drawing of the model of the range	Watertightness and Nominal Capacity (EN 12566-1 Annex A)	Hydraulic Efficiency (EN 12566-1 Annex B)	Structural Behaviour (EN 12566-1 Annex D)	Durability
3 3,377 l 9 PE		Pass PIA2016-WD-1604-1051.01	Pass PIA2016-HWG-1604-1051.01	Pass For wet ground conditions also, installation depth 1.10 m from inlet invert	Pass PIA2016-DH-1604-1051.01
6 6,000 l 26 PE		Pass PIA2016-WD-1604-1051.01	Pass PIA2016-HWG-1604-1051.01	Pass For wet ground conditions also, installation depth 1.10 m from inlet invert	Pass PIA2016-DH-1604-1051.01
11 11,356 l 50 PE		Pass PIA2016-WD-1604-1051.01	Pass PIA2016-HWG-1604-1051.01	Pass PIA2016-ST-CAL-1604-1051.01 For wet ground conditions also, installation depth 1.10 m from inlet invert	Pass PIA2016-DH-1604-1051.01

**Burke Wastewater/TPW Eurotank
9pe Septic tank**

14

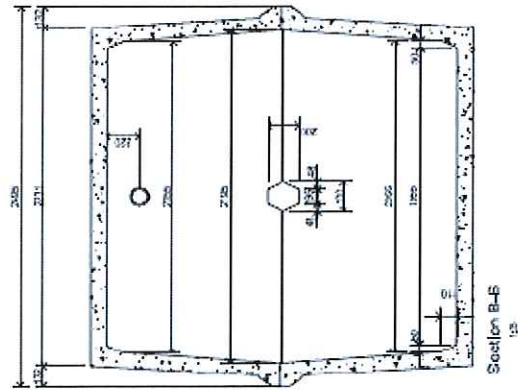
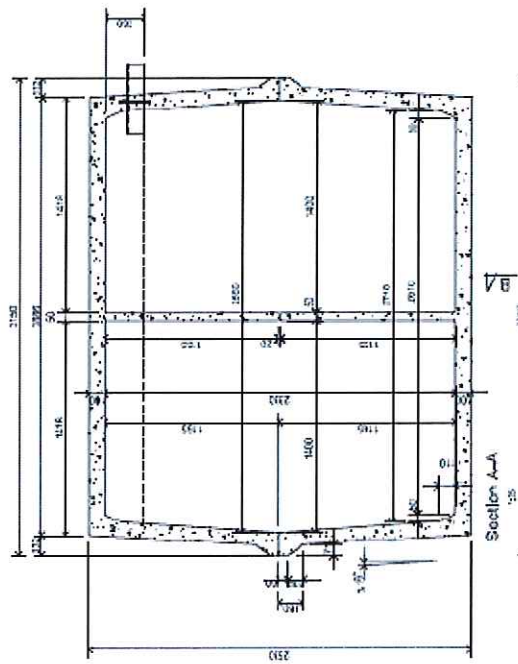


Burke Wastewater/Tpw Eurotank

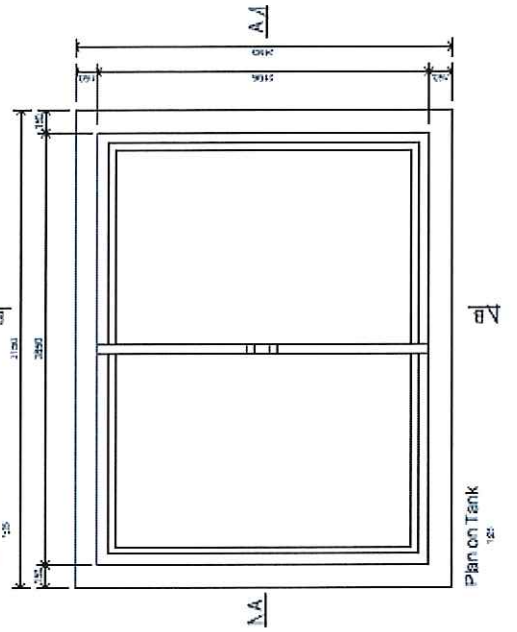
62 PE Septic tank

TANK C

3000 GLS 6000LTS 62PE



**TOTAL VOLUME
 = 3100 gallons**



Plan on Tank