

TREATMENT PERFORMANCE RESULTS

Viltra

56 Damolly Road, Newry, Co. Down, BT34 1QR, Northern Ireland

EN 12566-3

Results corresponding to EN 12566-3 and S.R. 66

PIA-SR66-1611-1126

OXTEC6

Submerged fixed film system in a 4-chamber PE-tank

Nominal organic daily load	0.30 kg/d		
Nominal hydraulic daily load	0.90 m ³ /d		
Material	Polyethylene		
Watertightness	Pass		
Structural behaviour (Pit Test)	Pass (also wet conditions)		
Durability	Pass		
Treatment efficiency (nominal sequences)		Efficiency	Effluent
		COD	93.2 % 57 mg/l
		BOD ₅	97.0 % 10 mg/l
		NH ₄ -N	85.2 % 5.4 mg/l
		SS	97.0 % 12 mg/l
Number of desludging	Not more than once		
Electrical consumption	0.59 kWh/d		

Performance tested by:

PIA – Prüfinstitut für Abwassertechnik GmbH
(PIA GmbH)
Hergenrather Weg 30
52074 Aachen, Germany

This document replaces neither the declaration of performance nor the CE marking.



Notified Body
No.: 1739



Certified according to
ISO 9001:2008

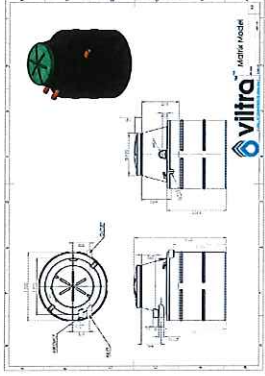


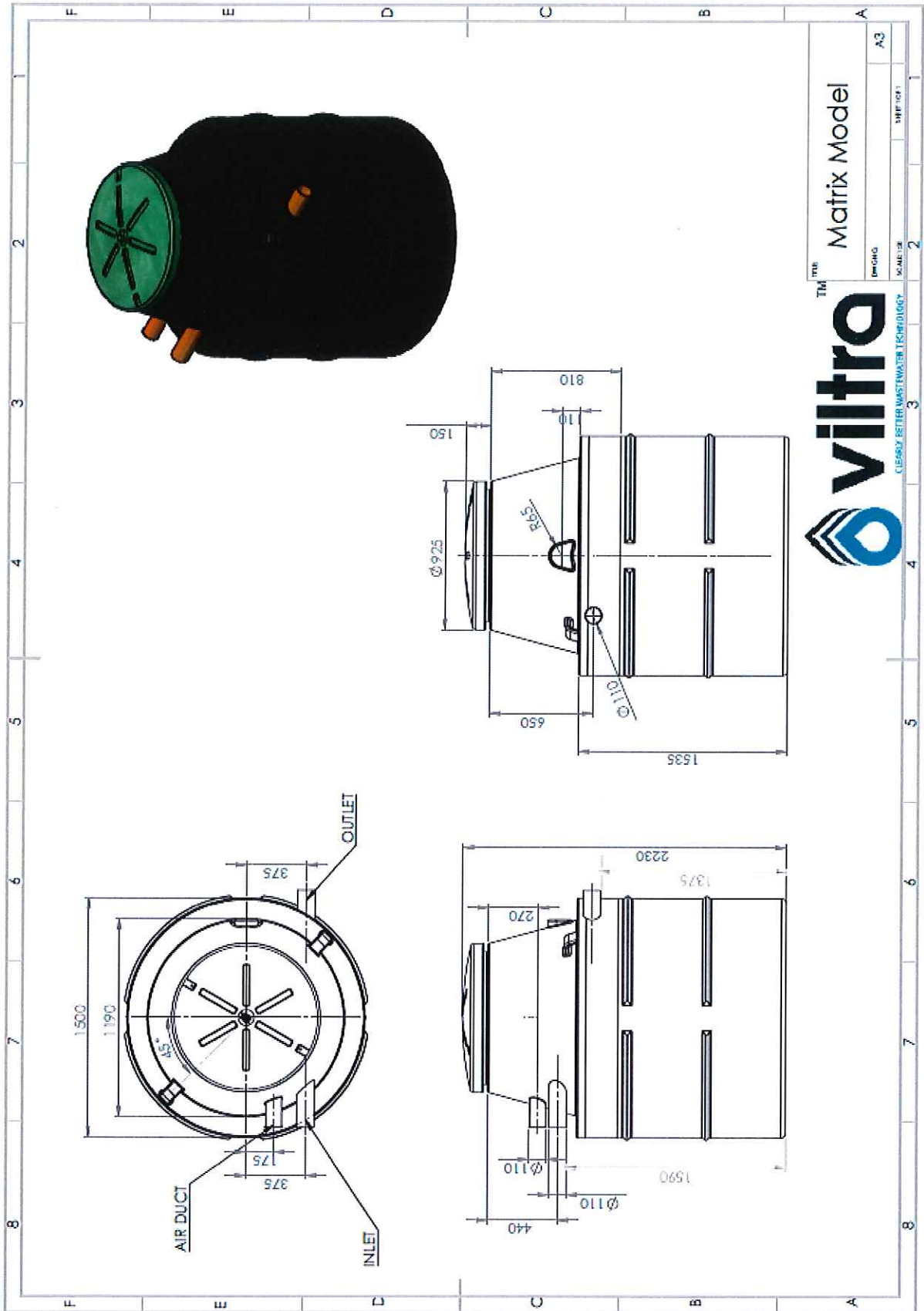
Prüfinstitut für Abwassertechnik GmbH
[Signature]
geprüft - tested - teste

Elmar Lancé

January 2017

OXTEC6 range and its referring test reports:

Population equivalent (PE)	Drawing of model of the range	Watertightness (EN 12566-3 Annex A)	Treatment Efficiency (EN 12566-3 Annex B)	Structural Behaviour (EN 12566-3 Annex C)	Durability
6 PE		<p>Pass</p> <p>PIA2016-WD-1601-1001.01</p>	<p>Pass</p> <p>PIA2015-247B10</p>	<p>Pass</p> <p>PIA2016-ST-PIT-1601-1001.01</p> <p>For wet ground conditions, 1.00 m installation depth from inlet invert</p>	<p>Pass</p> <p>PIA2016-DH-1601-1001.01</p>




vitrA
CLEARLY BETTER WASTEWATER TECHNOLOGY

Matrix Model
 SCALE: 1:1
 SHEET NO.: A3