



# TREATMENT PERFORMANCE RESULTS

PIA-SR66-2601-1001.2

**Otto Graf GmbH**

Carl-Zeiss-Str. 2-6, 79331 Teningen

**EN 12566-3**

Results corresponding to EN 12566-3 and S.R. 66

**easyRock**  
Media filter

Nominal organic daily load (influent)	0.26 kg BOD <sub>5</sub> /d		
Nominal hydraulic daily load	0.75 m <sup>3</sup> /d		
Material	PE		
Watertightness	Pass		
Crushing resistance (pit test)	Pass (also wet conditions)		
Durability	Pass		
Treatment efficiency (nominal sequences)		Efficiency	Effluent
	COD	95.0 %	41 mg/l
	BOD <sub>5</sub>	98.0 %	7 mg/l
	TN <sub>b</sub>	48.0 %	51 mg/l
	NH <sub>4</sub> -N*	75.0 %	14 mg/l
	P <sub>tot</sub>	40.0 %	7 mg/l
	SS	99.0 %	5 mg/l
Electrical consumption	0.0 kWh/d		
Number of desludging	0		

Tested by:

**PIA – Prüfinstitut für Abwassertechnik GmbH (PIA GmbH)**

**Centre d'Études de Recherches de l'industrie du Béton (CERIB)**

**Centre Scientifique et Technique du Bâtiment (CSTB)**

This document replaces neither the declaration of performance nor the CE marking.



confirmed

April 2026

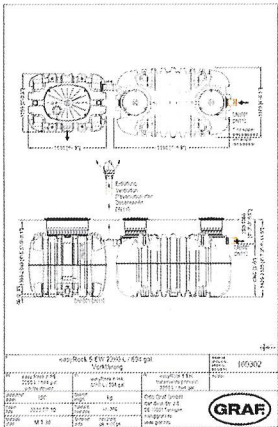
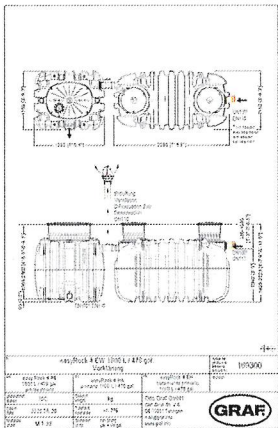


Notified Body  
No.: 1739

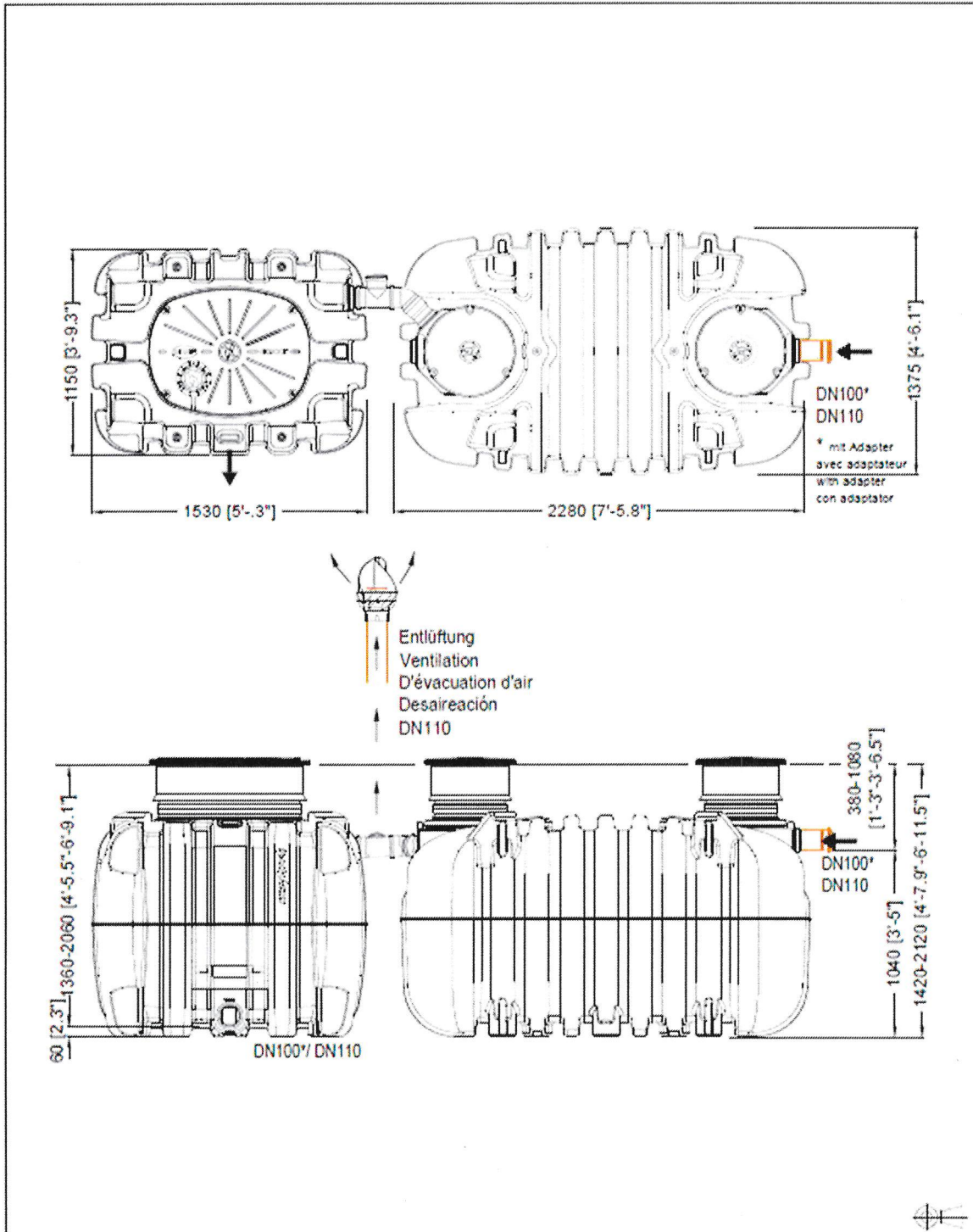


Certified according to  
ISO 9001:2015

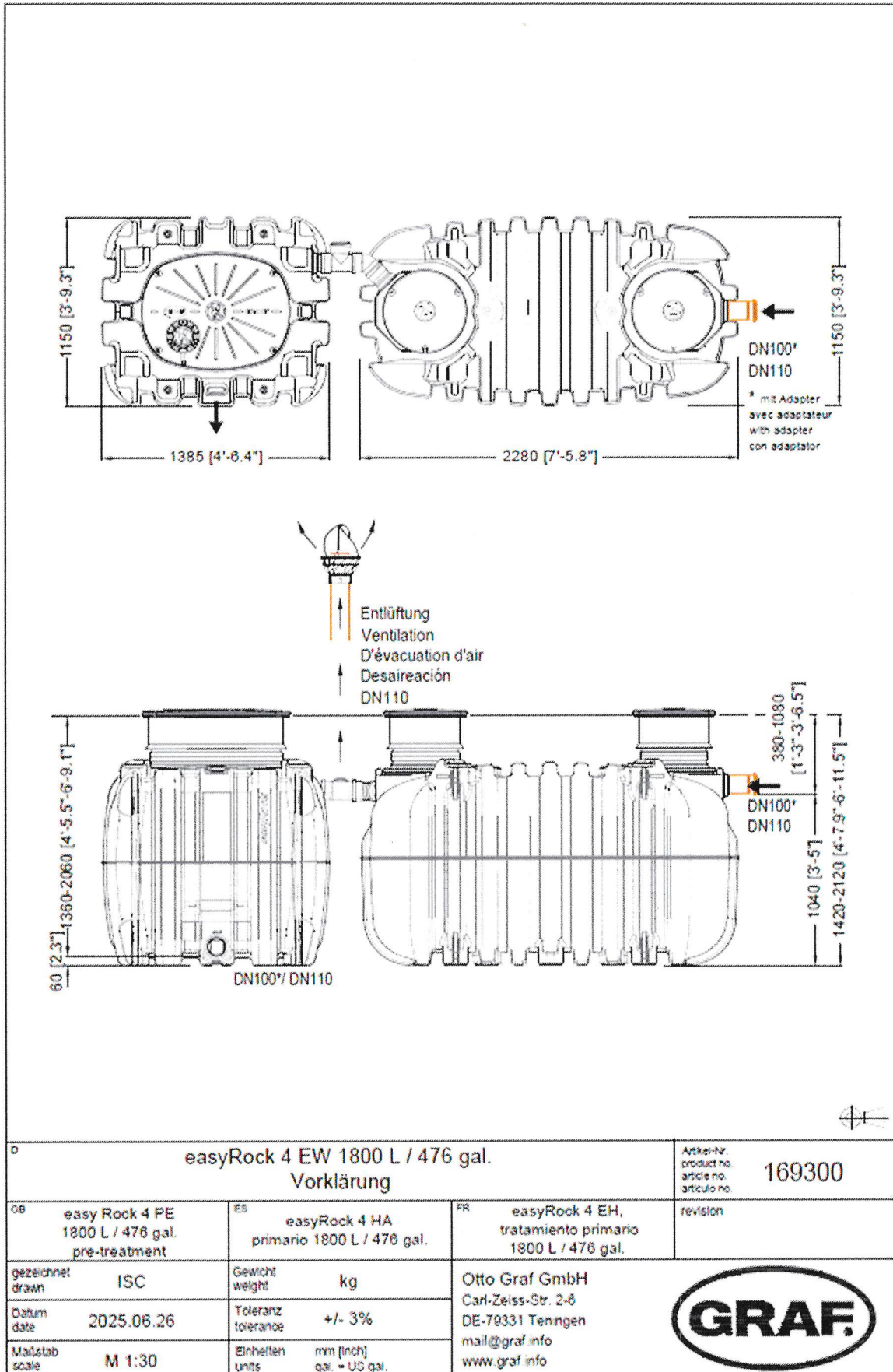
easyRock range and its referring test reports:

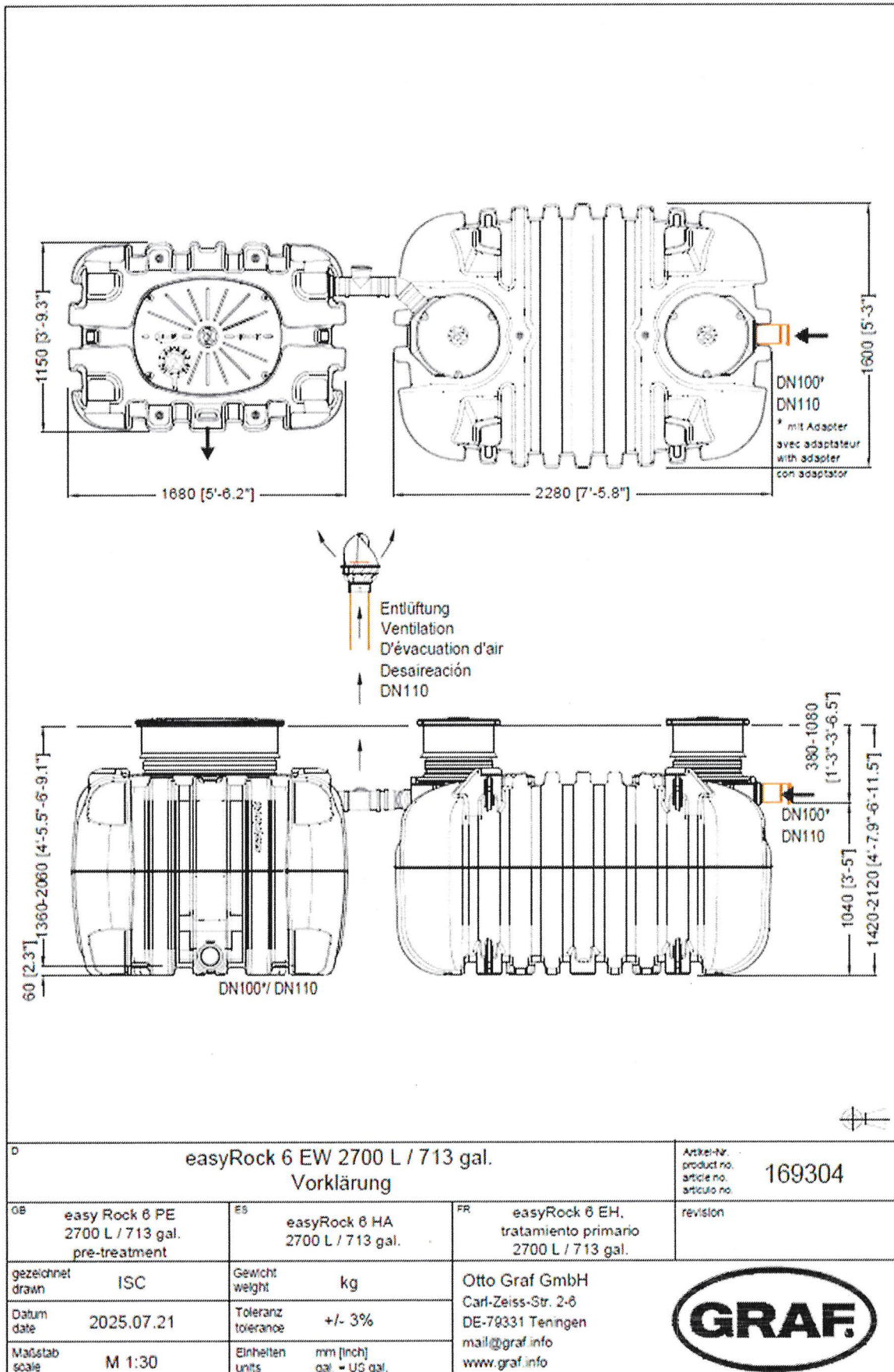
Population equivalent (PE)	Drawing of model of the range	Watertightness (EN 12566-3 Annex A)	Treatment Efficiency (EN 12566-3 Annex B)	Structural Behaviour (EN 12566-3 Annex C)	Durability
Initial type test (ITT) 5	Not relevant	Not relevant	Pass  046738-A (CERIB)	Not relevant	Not relevant
Compared Tank 5 750 l/d		Pass  PIA2025-WD - 2505-1033	Pass  Shared itt conformity check according to S.R. 66:2015	Pass  For wet ground conditions also, 1.08 m installation depth from inlet invert	Pass  CAPE 21-107198_V 2
4 600 l/d		Pass  PIA2025-WD - 2505-1033	Pass  Shared itt conformity check according to S.R. 66:2015	Pass  For wet ground conditions also, 1.08 m installation depth from inlet invert	Pass  CAPE 21-107198_V 2

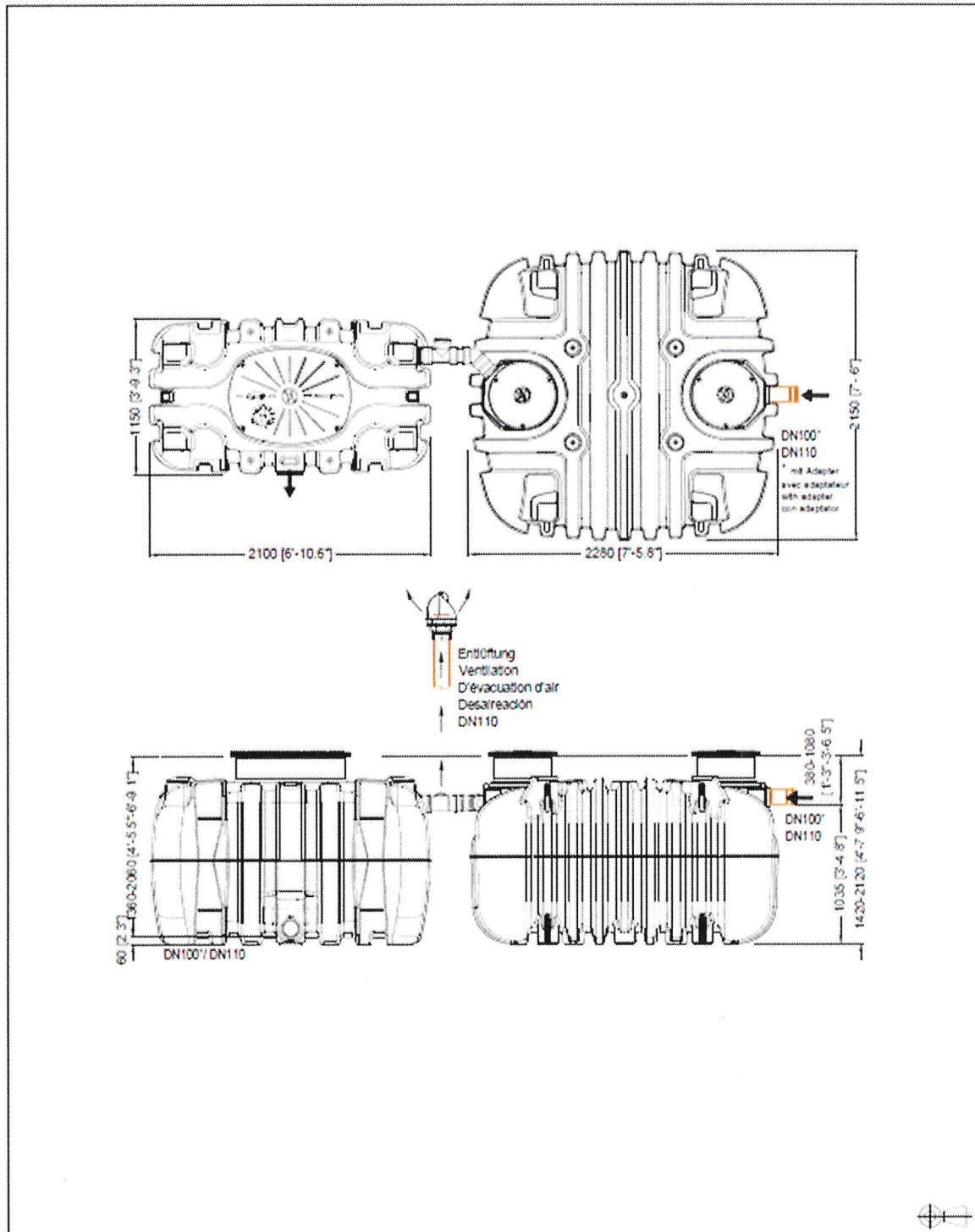
<p>6</p> <p>900 l/d</p>		<p>Pass</p> <p>PIA2025-WD - 2505-1033</p>	<p>Pass</p> <p>Shared itt conformity check according to S.R. 66:2015</p>	<p>Pass</p> <p>PIA2025-ST-PIT-2505-1033.2</p> <p>For wet ground conditions also, 1.08 m installation depth from inlet invert</p>	<p>Pass</p> <p>CAPE 21-107198_V 2</p>
<p>8</p> <p>1,200 l/d</p>		<p>Pass</p> <p>PIA2025-WD-2512-1089</p>	<p>Pass</p> <p>Shared itt conformity check according to S.R. 66:2015</p>	<p>Pass</p> <p>PIA2026-ST-PIT-2512-1089</p>	<p>Pass</p> <p>CAPE 21-107198_V 2</p>



<p>easyRock 5 EW 2250 L / 594 gal. Vorklärung</p>			<p>Artikel-Nr. product no. article no. artículo no.</p> <p>169302</p>
<p>GB easy Rock 5 PE 2250 L / 594 gal. pre-treatment</p>	<p>ES easyRock 5 HA 2250 L / 594 gal.</p>	<p>FR easyRock 5 EH, tratamiento primario 2250 L / 594 gal.</p>	<p>revision</p>
<p>gezeichnet drawn</p> <p>ISC</p>	<p>Gewicht weight</p> <p>kg</p>	<p>Otto Graf GmbH Carl-Zeiss-Str. 2-6 DE-79331 Teningen mail@graf.info www.graf.info</p>	
<p>Datum date</p> <p>2025.07.10</p>	<p>Toleranz tolerance</p> <p>+/- 3%</p>		
<p>Maßstab scale</p> <p>M 1:30</p>	<p>Einheiten units</p> <p>mm [inch] gal. - US gal.</p>		







<p>easyRock 8 EW 3600 L / 951 gal. Vorklä rung</p>			<p>Artikel-Nr. product no. article no. 169303</p>
<p>GB easy Rock 8 PE 3600 L / 951 gal. pre-treatment</p>	<p>ES easyRock 8 HA 3600 L / 951 gal.</p>	<p>FR easyRock 8 EH, tratamiento primario 3600 L / 951 gal.</p>	<p>revision</p>
<p>gezeichnet drawn ISC</p>	<p>Gewicht weight kg</p>	<p>Otto Graf GmbH Carl-Zeiss-Str. 2-8 DE-79331 Teningen mail@graf.info www.graf.info</p>	
<p>Datum date 2025.10.23</p>	<p>Toleranz tolerance +/- 3%</p>		
<p>Maßstab scale M 1:40</p>	<p>Einheiten units mm [inch] gal. = US gal.</p>		