

# PERFORMANCE RESULTS

**Ireland Waste Water**  
Coverhill, Ballymartle, Riverstick, Co. Cork

**EN 12566-1**  
Part 1: Prefabricated septic tanks  
Results corresponding to EN 12566-1 and S.R. 66  
PIA-SR66-1701-1004

## EURO-ST

Material	Concrete (nylon fibre reinforced)
Structural behaviour (crushing resistance)	Pass (for wet ground conditions also)
Watertightness	Pass
Nominal capacity	4 m <sup>3</sup> (4,995 l), 6 m <sup>3</sup> (6,427 l)
Hydraulic efficiency	99.60 % (without filter)
Durability	Pass

Performance tested by:

<b>PIA – Prüfinstitut für Abwassertechnik GmbH</b>	<b>TÜV SÜD Czech s.r.o.</b>
Hergenrather Weg 30	Novodvorská 994
52074 Aachen, Germany	142 21 Praha 4

This document replaces neither the declaration of performance nor the CE marking.



Notified Body  
No.: 1739



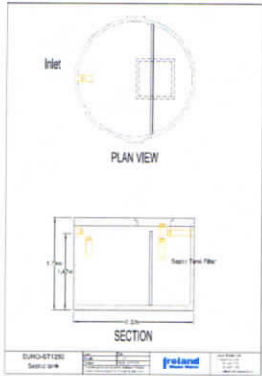
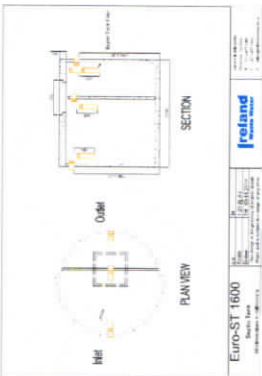
Certified according to  
ISO 9001:2008



Elmar Lancé

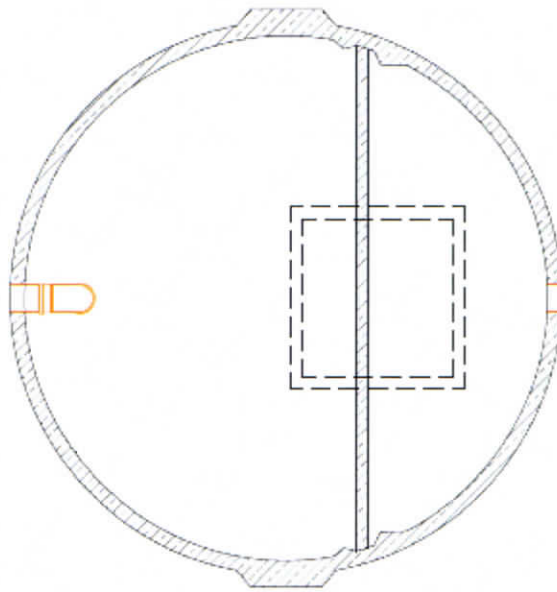
January 2017

EURO-ST Septic Tank range and its referring test reports:

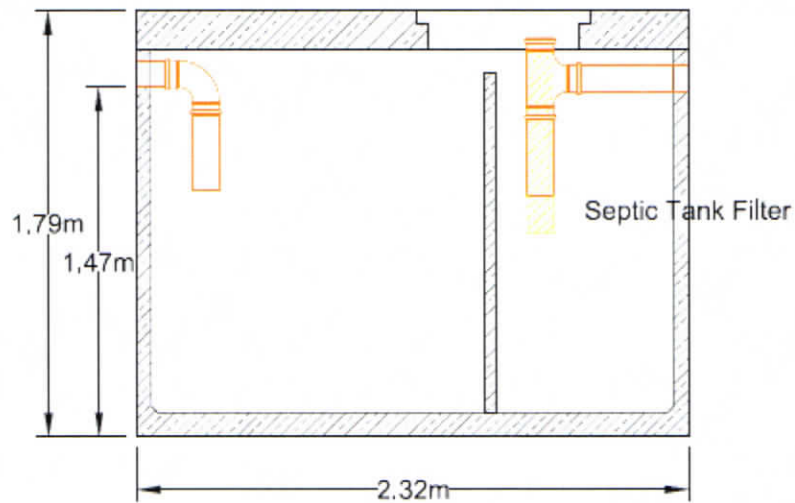
Nominal capacity Usable Capacity Population equivalent (PE)	Drawing of model of the range	Watertightness and Nominal Capacity (EN 12566-1 Annex A)	Hydraulic Efficiency (EN 12566-1 Annex B)	Structural Behaviour (EN 12566-1 Annex D)	Durability
4 4,995 l 20		Pass ZZ 372-702 PIA2007-WD002	Pass ZZ 372-702	Pass For wet ground conditions also, installation depth 1.50 m from inlet invert	Pass PIA2016-DH-1612-1130.01
6 6,427 l 29		Pass ZZ 372-702 PIA2007-WD002	Pass ZZ 372-702	Pass PIA2007-BT-011 For wet ground conditions also, installation depth 1.50 m from inlet invert	Pass PIA2016-DH-1612-1130.01



Inlet



PLAN VIEW



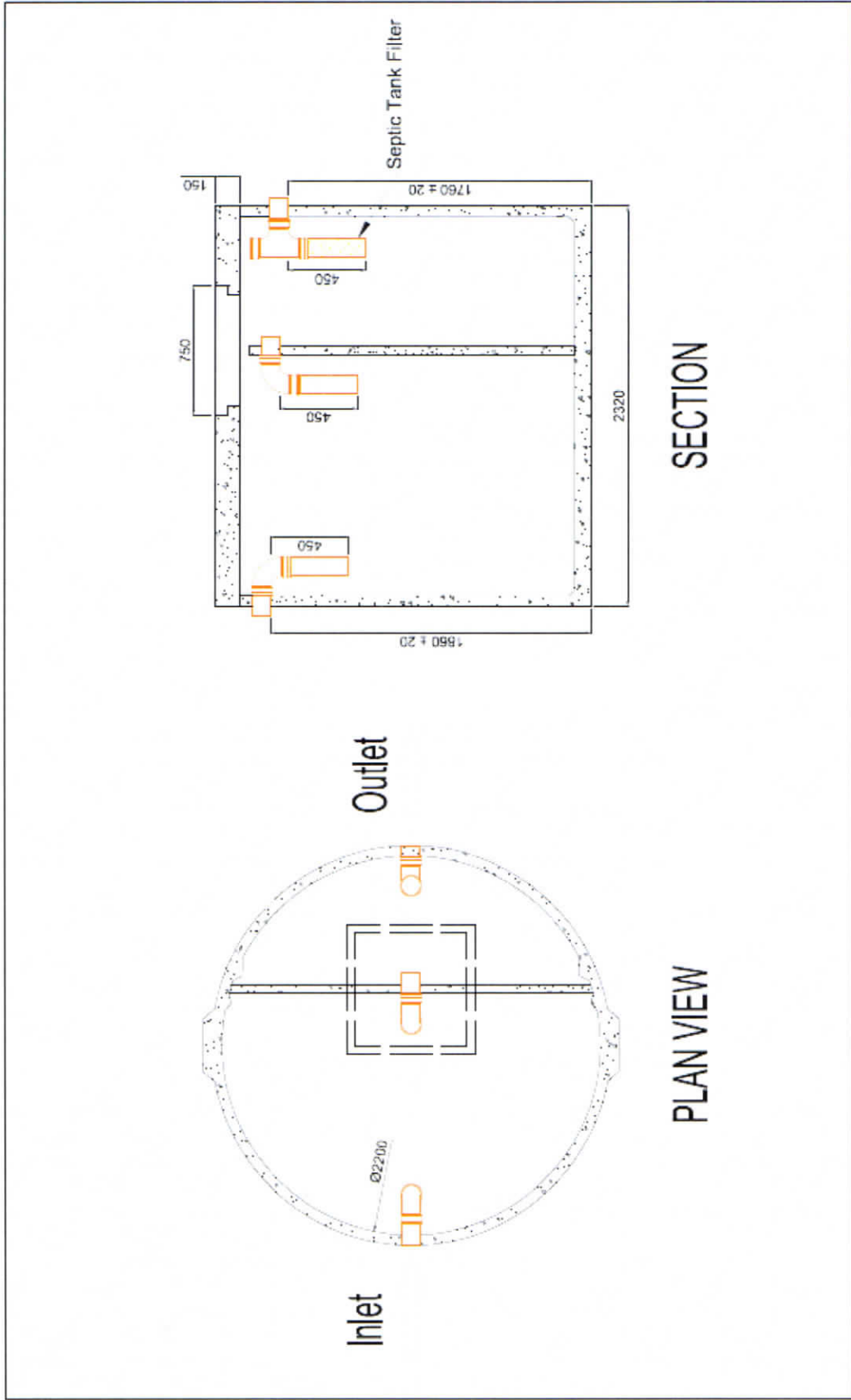
SECTION

EURO-ST1250  
Septic tank

d.e.	NA
Scale	1 : 25
Drawn	POL 11/10/12
This design is the property of Ireland Waste Water and is subject to change at any time.	



Clavin & Edlymalk  
Riverside, Co. Cork  
T: 021 477 1000  
F: 021 477 1016  
E: sales@irelandwastewater.ie



<p><b>Euro-ST 1600</b> Septic Tank</p> <p>All dimensions in millimeters</p>		p.e.	34
		Scale	1:20 @ A3
<p>This design is the property of Ireland Waste Water and is subject to change at any time.</p>		Drawn	TH 03/11/2014
		<p>Irish Waste Water</p>	
<p>Cloverhill, Ballymartle, Riverstick Co. Cork</p>		T:	021 -477 1000
		F:	021 -477 1015
		E:	sales@irelandwastewater.ie