



Prüfinstitut für
Abwassertechnik
GmbH

PERFORMANCE RESULTS

Kilkenny Pre-Cast Concrete Ltd.
Hebron Rd., Kilkenny, Co. Kilkenny, Ireland

EN 12566-1

Part 1: Prefabricated septic tanks
Results corresponding to EN 12566-1 and S.R. 66

PIA-SR66-1603-1035

10 Person Septic Tank

Material	Concrete
Crushing resistance (calculation)	Pass (for wet ground conditions also)
Watertightness	Pass
Nominal capacity	3 m ³
Hydraulic efficiency	99.87 % (without filter)
Durability	Pass

Performance tested by:

PIA – Prüfinstitut für Abwassertechnik GmbH
(PIA GmbH)
Hergenrather Weg 30
52074 Aachen, Germany

This document replaces neither the declaration
of performance nor the CE marking.



Notified Body
No.: 1739



Certified according to
ISO 9001:2008



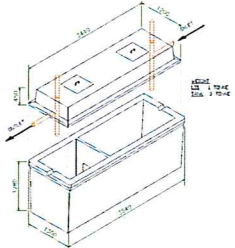
Prüfinstitut für Abwassertechnik GmbH

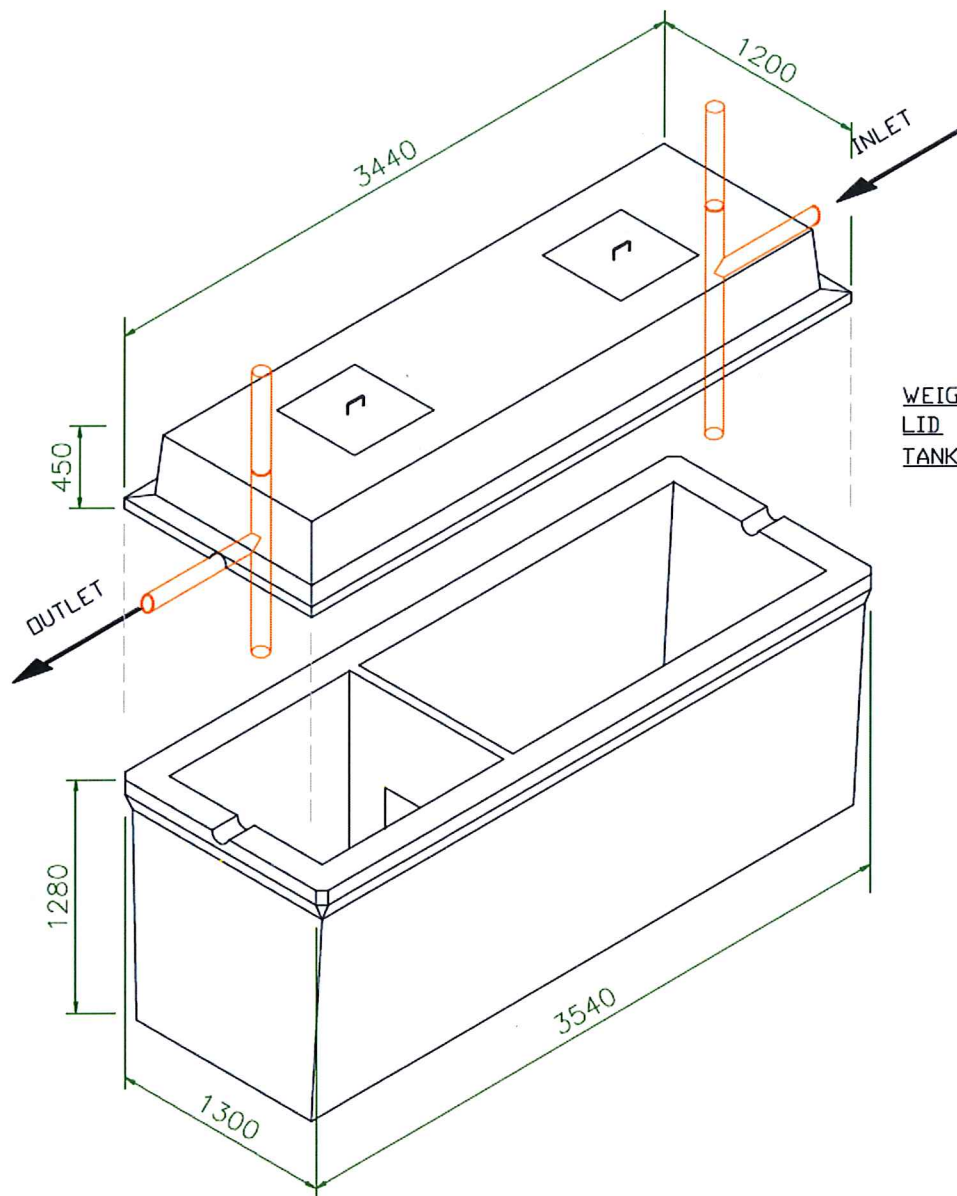
geprüft - tested - teste

Elmar Lancé

July 2016

10 person septic tank range and its referring test reports:

Nominal capacity Usable capacity Population equivalent (PE)	Drawing of model of the range	Watertightness and Nominal Capacity (EN 12566-1 Annex A)	Hydraulic Efficiency (EN 12566-1 Annex B)	Structural Behaviour (EN 12566-1 Annex D)	Durability
<p>3 3,564 l 10 PE</p>		<p>Pass PIA2012-WD/NC-1209-1058</p>	<p>Pass PIA2012-HWG-1209-1058</p>	<p>Pass PIA2009-ST-AT0808-1059 For wet ground conditions also, installation depth 1.30 m from inlet invert</p>	<p>Pass PIA2009-ST-AT0808-1059</p>



WEIGHT
LID 1 TONNE.
TANK 3 TONNE