

TREATMENT PERFORMANCE RESULTS

Clenviro Ltd.
Unit 1C, Queensway Business Park, Telford, Shropshire, TF1 7UL, UK

EN 12566-3 Annex B
Results corresponding to EN 12566-3 and S.R. 66
PIA-SR66-1606-1067

Small wastewater treatment system MATRIX CLF
Submerged fixed film process (initial type test) in combination with
Harlequin tank

Nominal organic daily load	0.34 kg/d		
Nominal hydraulic daily load	1.20 m ³ /d		
Treatment efficiency (nominal sequences)	Efficiency		Effluent
	COD	91.4 %	56 mg/l
	BOD ₅	96.2 %	11 mg/l
	NH ₄ -N	83.3 %	5.9 mg/l
	SS	95.5 %	16 mg/l
Number of desludging	Not more than once		
Electrical consumption	1.4 kWh/d		

Performance tested by:

PIA – Prüfinstitut für Abwassertechnik GmbH
(PIA GmbH)
Hergenrather Weg 30
52074 Aachen, Germany

This document replaces neither the declaration
of performance nor the CE marking.



Notified Body
No.: 1739



Certified according to
ISO 9001:2008



Prüfinstitut für Abwassertechnik GmbH
Elmar Lancé
geprüft - tested - testé

Elmar Lancé

October 2016



TREATMENT PERFORMANCE RESULTS

Harlequin Manufacturing Ltd.

21 Clarehill Road, BT670PB, Moira, County Armagh, United Kingdom

EN 12566-3 Annex A, C

Results corresponding to EN 12566-3 and S.R. 66

PIA-SR66-1606-1067

CAP 6

Polyethylene tank for submerged fixed film in combination with Clenviro Ltd. treatment kit

Material	Polyethylene
Watertightness	Pass
Structural behaviour (pit test)	Pass (also wet conditions)
Durability	Pass

Performance tested by:

PIA – Prüfinstitut für Abwassertechnik GmbH
(PIA GmbH)
Hergenrather Weg 30
52074 Aachen, Germany

This document replaces neither the declaration of performance nor the CE marking.



Notified Body
No.: 1739



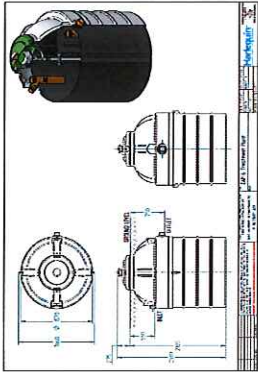
Certified according to
ISO 9001:2008

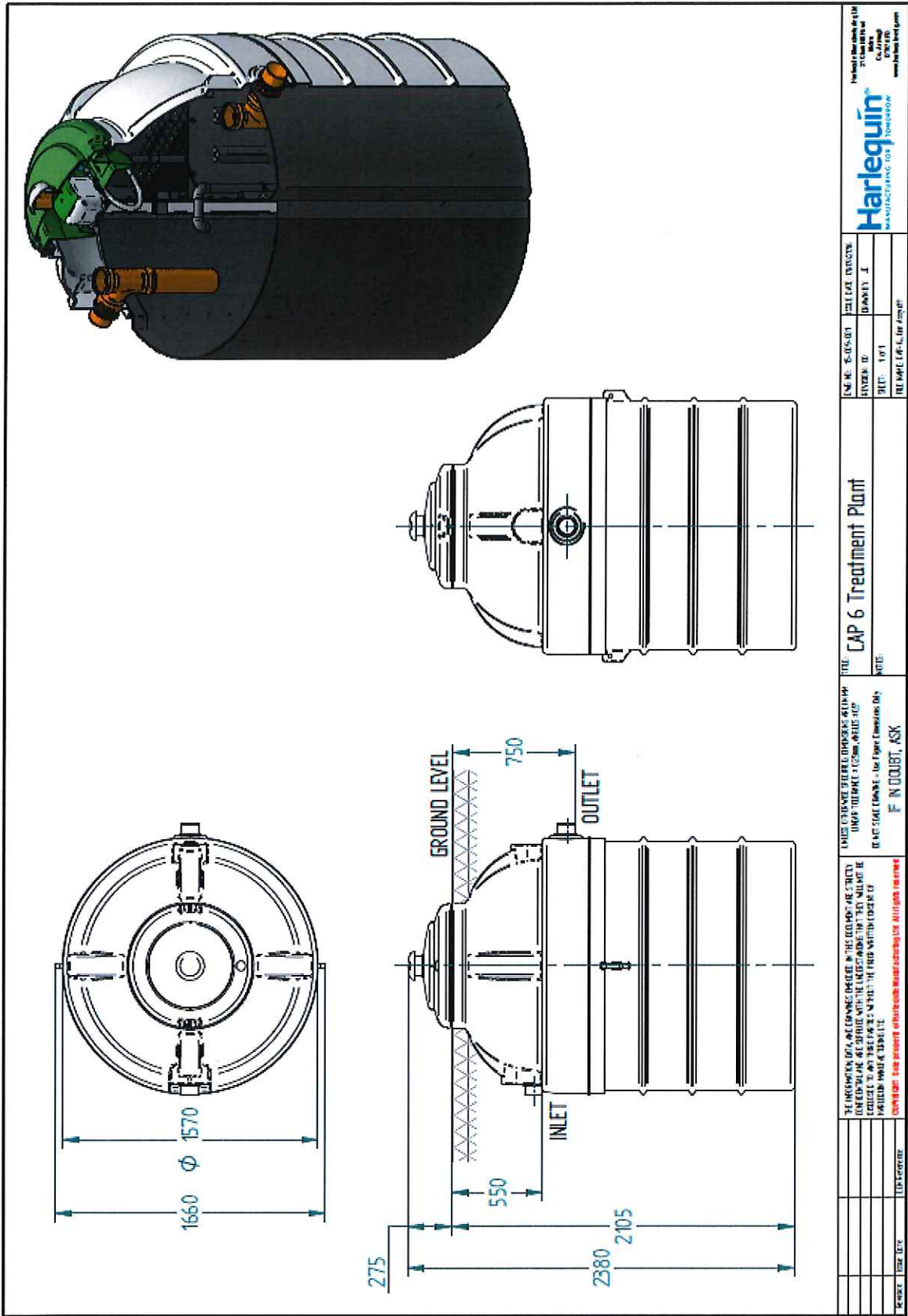


Elmar Lancé

October 2016

MATRIX CLF range shared ITT and its referring test reports:

Population equivalent (PE)	Drawing of model of the range	Watertightness (EN 12566-3 Annex A)	Treatment Efficiency (EN 12566-3 Annex B)	Structural Behaviour (EN 12566-3 Annex C)	Durability
Initial Type Test (ITT) 6	Not relevant	Not relevant	Pass PIA2008-093B49 Pass	Not relevant	Not relevant
Compared Tank 6		Pass PIA2016-WD-1606-1067.01	Pass Shared itt conformity check according to S.R. 66:2015	Pass PIA2016-ST-PIT-1606-1067.01 For wet ground conditions, 1.10 m installation depth from inlet invert	Pass PIA2016-DH-1606-1067.01



<p>THE INFORMATION DATA AND DIMENSIONS INDICATED IN THIS DOCUMENT ARE SUBJECT TO CHANGE WITHOUT NOTICE AND WITHOUT LIABILITY. THE USER SHALL BE RESPONSIBLE TO ANY DIMENSIONS AND MATERIALS WITHIN THE SCOPE OF THE PROJECT. IN CASE OF ANY DISCREPANCY, THE USER SHALL BE RESPONSIBLE FOR THE CORRECTION.</p> <p>COMPLIANCE: THE PRODUCTS OF HARLEQUIN MANUFACTURING CO. CONFORM TO THE REQUIREMENTS OF THE EUROPEAN DIRECTIVE 90/269/EEC.</p>		<p>UNITS: DIMENSIONS IN MILLIMETERS (MM) UNLESS OTHERWISE SPECIFIED. DIMENSIONS IN INCHES (IN) UNLESS OTHERWISE SPECIFIED.</p>	<p>TITLE: CAP 6 Treatment Plant</p>	<p>DATE: 05/05/2013</p>	<p>DESIGNER: J. J. J. J.</p>	<p>PROJECT: 10/1</p>	<p>REVISION: 01/01/01</p>
<p>SCALE: 1:1</p>	<p>DATE: 05/05/2013</p>	<p>PROJECT: 10/1</p>	<p>TITLE: CAP 6 Treatment Plant</p>	<p>DESIGNER: J. J. J. J.</p>	<p>PROJECT: 10/1</p>	<p>REVISION: 01/01/01</p>	<p>REVISION: 01/01/01</p>
<p>SCALE: 1:1</p>	<p>DATE: 05/05/2013</p>	<p>PROJECT: 10/1</p>	<p>TITLE: CAP 6 Treatment Plant</p>	<p>DESIGNER: J. J. J. J.</p>	<p>PROJECT: 10/1</p>	<p>REVISION: 01/01/01</p>	<p>REVISION: 01/01/01</p>

