

TREATMENT PERFORMANCE RESULTS

WTE - Water Technology Engineering Ltd.

Unit 2, Bolton Lane, YO41 5QX York, UK

EN 12566-3 Annex B

Results corresponding to EN 12566-3 and S.R. 66

PIA-SR66-1708-1087

Small wastewater treatment system Filter Pod 1

Aerobic biological filter system in combination with Biocell tanks

Nominal organic daily load	0.30 kg/d		
Nominal hydraulic daily load	0.90 m ³ /d		
Treatment efficiency (nominal sequences)		Efficiency	Effluent
		COD	93.1 % 47 mg/l
		BOD ₅	96.8 % 10 mg/l
		NH ₄ -N	71.0 % 10.6 mg/l
		SS	96.7 % 12 mg/l
Number of desludging	Not more than once		
Electrical consumption	0.0 kWh/d		

Performance tested by:

PIA – Prüfinstitut für Abwassertechnik GmbH

(PIA GmbH)

Hergenrather Weg 30

52074 Aachen, Germany

This document replaces neither the declaration of performance nor the CE marking.



Notified Body
No.: 1739



Certified according to
ISO 9001:2008



Prüfinstitut für Abwassertechnik GmbH
Elmar Lancé
geprüft - tested - testé

Elmar Lancé

September 2017



TREATMENT PERFORMANCE RESULTS

Initial type test performed **by Shay Murtagh Ltd.**
Distributed by **Biocell Ltd.**
Unit 31, Ballybane Industrial Estate, Galway, Ireland
EN 12566-3 Annex A, C
Results corresponding to EN 12566-3 and S.R. 66
PIA-SR66-1709-1087

Biocell Tank
Concrete tanks for filter process in combination with WTE treatment kit

Material	Concrete
Watertightness	Pass
Structural behaviour (Vertical load test)	Pass (also wet conditions)
Durability	Pass

Performance tested by:

PIA – Prüfinstitut für Abwassertechnik GmbH
(PIA GmbH)
Hergenrather Weg 30
52074 Aachen, Germany

This document replaces neither the declaration of performance nor the CE marking.



Notified Body
No.: 1739



Certified according to
ISO 9001:2008

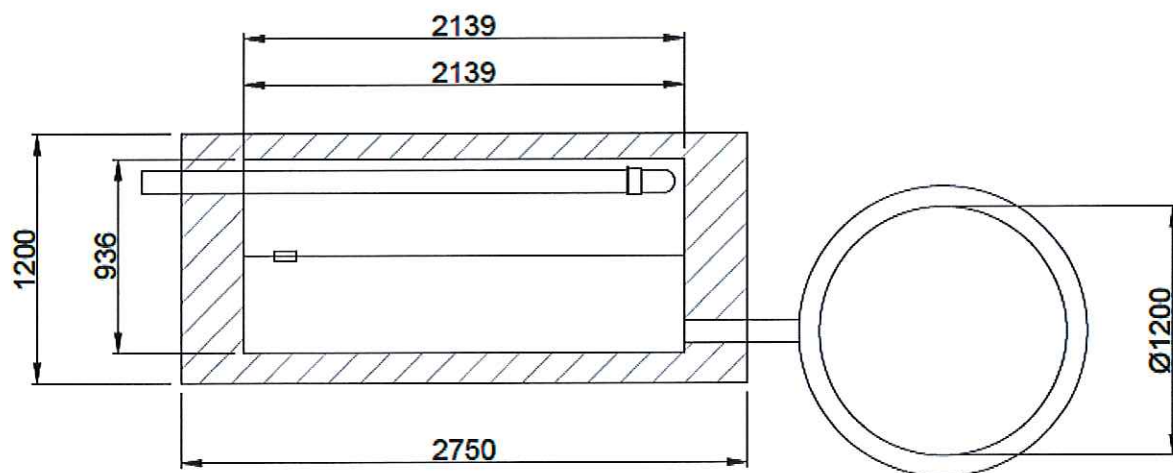
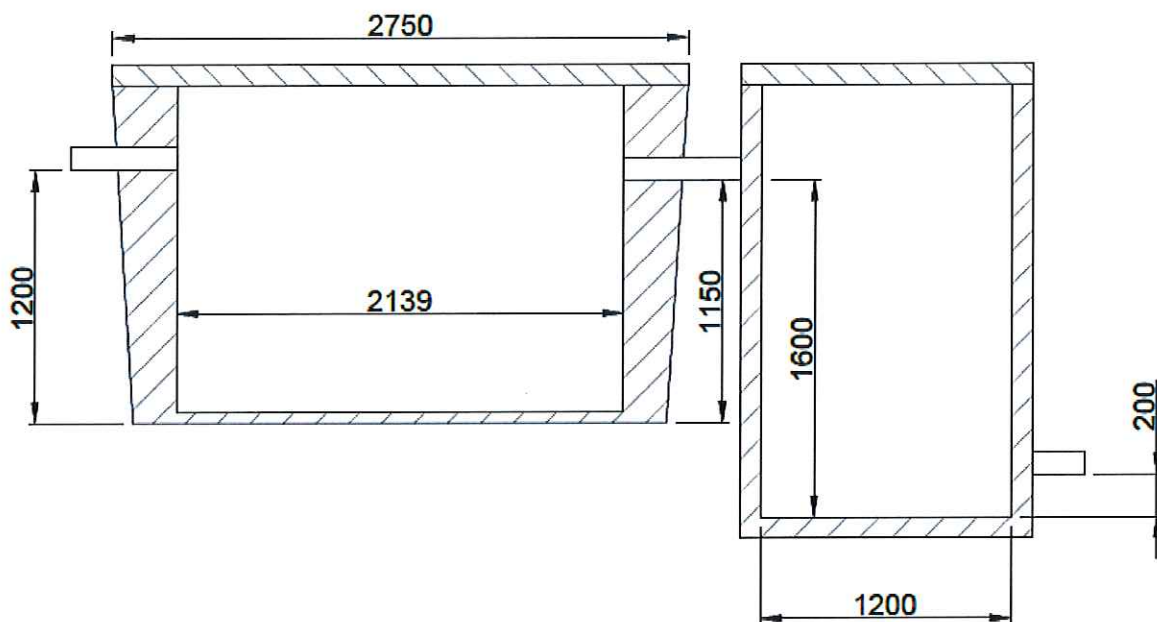


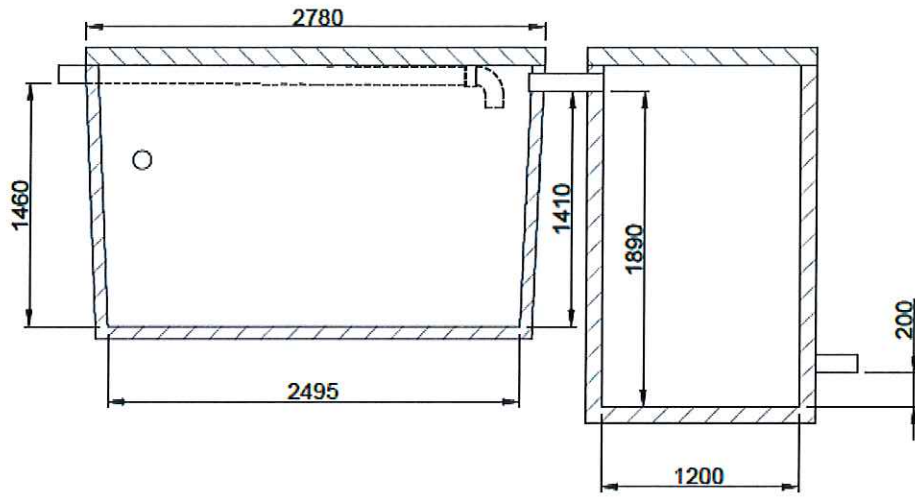
Daniel Verschitz

September 2017

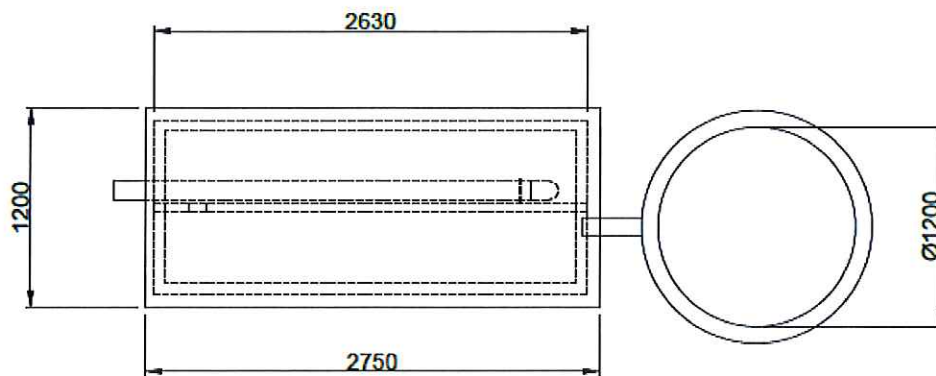
Filter pod range shared ITT and its referring test reports:

Population equivalent (PE)	Drawing of model of the range	Watertightness (EN 12566-3 Annex A)	Treatment Efficiency (EN 12566-3 Annex B)	Structural Behaviour (EN 12566-3 Annex C)	Durability
Initial Type Test (ITT) 5	Not relevant	Not relevant	Pass PIA2012-159B11 Pass	Not relevant	Not relevant
Compared Tank 5		Pass PIA2012-WD/NC-1206-1038 (Primary) PIA2017-WD-1709-1087 (Treatment)	Pass Shared itt conformity check according to S.R. 66:2015	Pass For wet ground conditions, 0.70 m installation depth from inlet invert PIA2012-ST-BT-1206-1038 (Primary) PIA2016-ST-BT-1602-1025B.01 (Treatment)	Pass PIA2017-DH-1709-1087 (Primary) PIA2016-DH-1602-1025.01 (Treatment)
6		Pass PIA2012-WD/NC-1206-1038 PIA2017-WD-1709-1087	Pass Shared itt conformity check according to S.R. 66:2015	Pass For wet ground conditions, 0.70 m installation depth from inlet invert PIA2012-ST-BT-1206-1038 PIA2016-ST-BT-1602-1025B.01	Pass PIA2017-DH-1709-1087 DH-1602-1025.01





ELEVATION



PLAN